

**Micro Speaker**

**Model: OSR15R-4.8F1.2W8A**



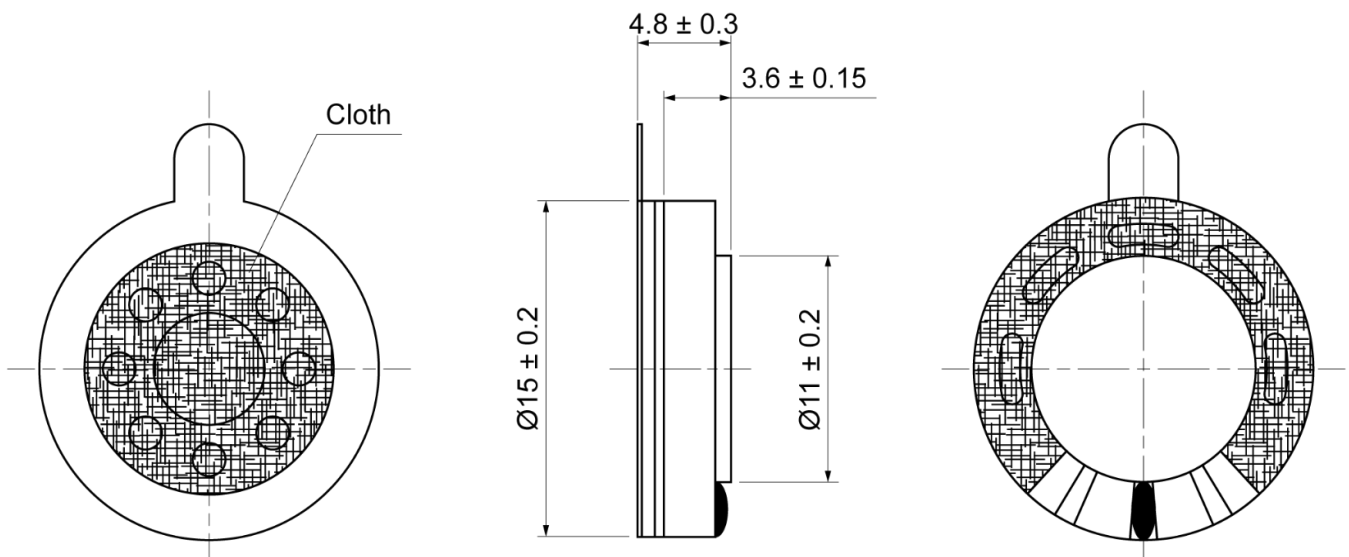
**ELECTRICAL SPECIFICATIONS**

	Condition	Parameter	Unit
Sound Pressure Level	at 0.1W, 10cm [at 0.8, 1.0, 1.2, 1.5 KHz]	85 ± 3	dB
Impedance	at 1V, 2KHz	8 ± 15%	Ω
Rated Input Power		1.2	W
Max Input Power		1.8	W
Resonant Frequency (Fo)	at 1V	900 ± 20%	Hz
Frequency Range		Fo ~ 20000	Hz
Buzzer & Rattles	not be audible at sine wave between Fo ~ 20KHz	3.09	V
Operating Temperature		-30 ~ 70	°C
Magnet		Nd-Fe-B	
Frame Material		PBT	
Cone Material		Mylar (PET)	
Weight		1.5	g

**MECHANICAL DRAWING**

Dimensions in mm

Tolerance ±0.5mm Except Specified



**Micro Speaker**

**Model: OSR15R-4.8F1.2W8A**

**FREQUENCY RESPONSE CURVE**

